

SAFETY EQUIPMENT

DRENCH SHOWER WITH HORIZONTAL SUPPLY

ANSI Standard Z358.1-1998 compliant. Galvanized steel with BRADTECT™ Safety Yellow Coating. Impact resistant plastic showerhead, stainless steel fixture. With yellow plastic handle.

PART # 40401912
FOR PARTS SEE PAGE 4-2, 4-3



DRENCH SHOWER WITH VERTICAL SUPPLY

ANSI Standard Z358.1-1998 compliant. Galvanized steel with BRADTECT™ Safety Yellow Coating. Impact resistant yellow plastic showerhead.

PART # 40400010

FOR PARTS SEE PAGE 4-2, 4-3



COMBINATION DRENCH SHOWER/EYE WASH UNIT

10" showerhead with yellow impact-resistant head. 1" IPS stay open chrome-plated brass ball valve w/ stainless steel pull rod. 10" eye wash bowl made of yellow impact-resistant plastic. 1/2" IPS chrome-plated stay open valve. 1-1/4" IPS female supply and waste.

PART # 40401910

STAINLESS RECEPTOR
Same with S/S shower head and eyewash bowl.

PART # 40401931
FOR PARTS SEE PAGE 4-2, 4-3



ON-SITE® GRAVITY-FED EYE WASH STATION

7-gallon capacity allows 15 minutes of flushing fluid. Blow molded tank without seams doesn't leak. Has built in handles for portability ease. Clear, patented polycarbonate tank allows you to see the flushing fluid. Meets ANSI Z358.1-1981 for self-contained eye wash stations. PART # 40401965

SEE PAGE 4-2 FOR WATER PRESERVATIVE



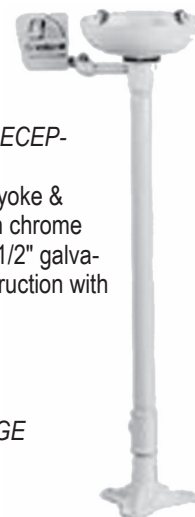
EYE WASH FIXTURES

PEDESTAL MOUNTED POLYPROPYLENE RECEPTOR

Chrome plated brass yoke & heads. 1/2" Stay-open chrome plated brass valve. 1-1/2" galvanized steel pipe construction with safety yellow coating.

PART # 40401921

FOR PARTS SEE PAGE 4-2, 4-3



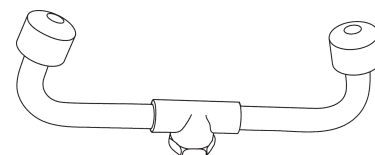
EYE WASH UNIT WITH WALL BRACKET & TAIL PIECE

Complies with ANSI Standard Z358.1-1998. Unit has galvanized steel pipe and waste tee protected with BRADTECT™ Safety Yellow Coating. Plastic eye wash bowl. PART # 40401922



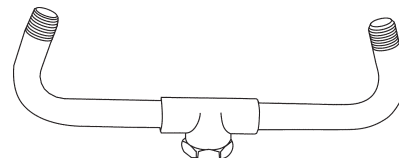
EYEWASH YOKE ASSEMBLY

PART # 40400509



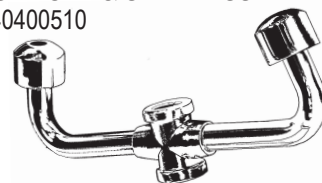
EYEWASH YOKE SUB ASSEMBLY

PART # 40400513



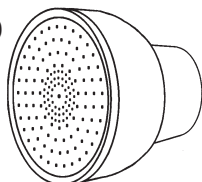
EYEWASH YOKE & SPRAY ASSEMBLY

PART # 40400510



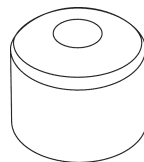
EYE WASH HEAD

PART # 40400515



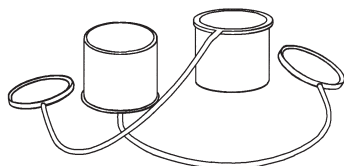
EYE WASH HEAD

PART # 40401151



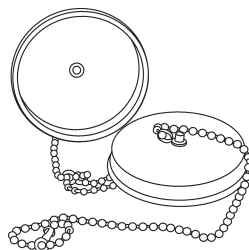
DUST COVER CAPS

PART # 40401073 (each)



DUST COVER CAPS

2-1/2" wide PART # 40405306



TOTAL MAINTENANCE SOLUTIONS

HOUSTON
800/392-5066

ORLANDO
800/327-3022

GREENVILLE
800/476-2212

LOOK FOR US ON THE WEB AT: www.TMSSouth.com

SAFETY EQUIPMENT

BRADLEY SAFETY REPLACEMENT PARTS



OPTI-AID PLUS PERSONAL EYEWASH STATION
Integral eye cup provides a gentle flush directly to the eye.

PART # 40400107

EYE WASH REPLACEMENT BOWLS

10" diameter impact-resistant plastic eye wash bowl
 PART # 40401545

10" diameter stainless steel eye wash bowl
 PART # 40401870



WATER PRESERVATIVE
 8 oz. bottle

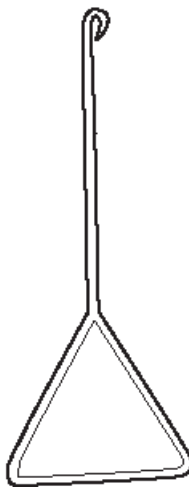
*Universal application can be used with any eyewash unit (plastic or stainless steel)
 Prevents bacteria, fungi and algae growth for up to 4 months.*



PART # 40400108

DRENCH SHOWER HANDLE VALVES
 24" pull rod only

PART # 40401281



DRENCH SHOWER BALL VALVE
 Brass 1" ball valve with lever

PART # 40401011



FOOT TREADLE KIT
Includes all necessary fittings for attaching to Bradley pedestal-mounted eye washes and combination showers for hand or foot operation.




PART # 40400109

EYE WASH FLOW RESTRICTORS

3.5 gpm, black, for eye wash only
 PART # 40400113

2.64 gpm, yellow, for eye wash only
 PART # 40400114

3.7 gpm, pink, used on eye wash with face spray ring
 PART # 40400115



EYE WASH HANDLE KITS
Includes stainless steel handle with hardware and 1/2" IPS stay-open ball valve.

PART # 40400110

Stainless steel handle with hardware.
 PART # 40400111

Plastic handle only
 PART # 40401280




Includes plastic handle with hardware and 1/2" IP stay-open ball valve.
 PART # 40400112

SHOWERHEADS

10" impact resistant plastic showerhead
 PART # 40402407

10" stainless steel showerhead
 PART # 40402408



STEM ASSEMBLY FOR EYE WASH FIXTURES ONLY
 Brass

PART # 40400116



EYE WASH BALL VALVES ONLY
 1/2" brass IPS stay-open ball valve only
 PART # 40402728



TOTAL MAINTENANCE SOLUTIONS

HOUSTON
 800/392-5066

ORLANDO
 800/327-3022

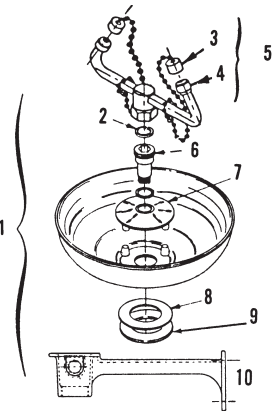
GREENVILLE
 800/476-2212

LOOK FOR US ON THE WEB AT: www.TMSSouth.com

SAFETY EQUIPMENT

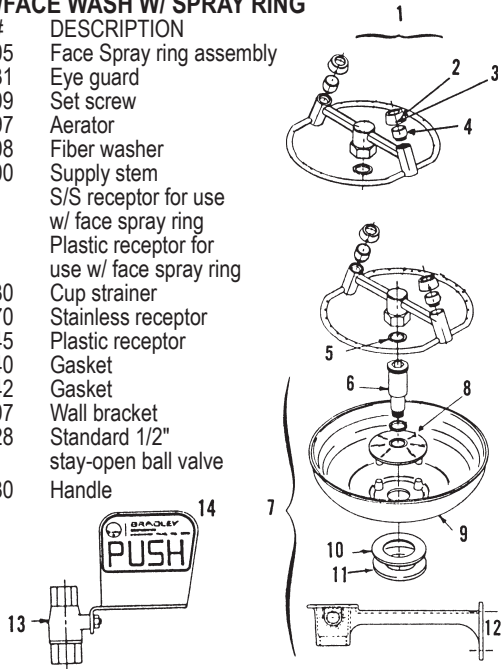
BRADLEY EYE WASH

ITEM	PART #	DESCRIPTION
1	40409009	Stainless receptor assembly
	40409028	Plastic receptor assembly
2	40401008	Gasket
3	40401073	Dust cover
4	40401151	Eye-wash head
5	40400506	Standard eyewash head assembly
6	40401205	Supply stem
7	40401730	Cup strainer
8	40401240	Gasket
9	40401242	Gasket
10	37082298	Wall bracket



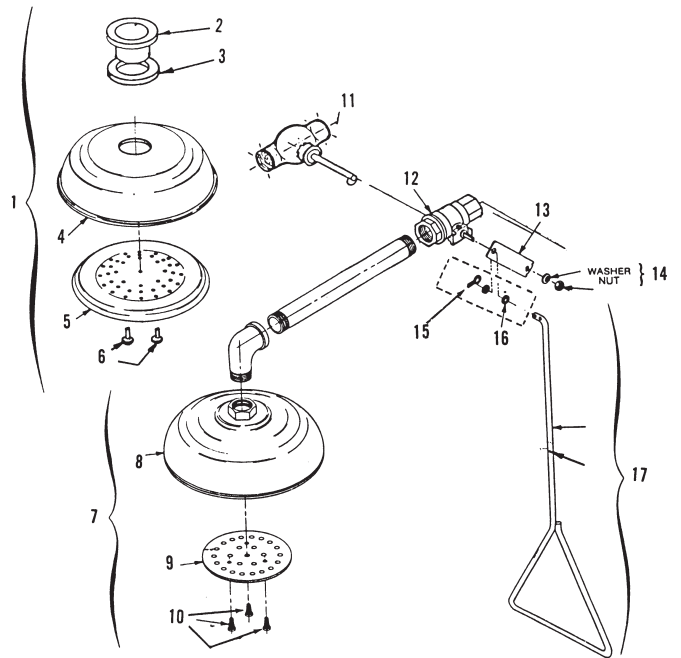
BRADLEY EYE/FACE WASH W/ SPRAY RING

ITEM	PART #	DESCRIPTION
1	40400505	Face Spray ring assembly
2	40401531	Eye guard
3	40400009	Set screw
4	40401697	Aerator
5	40401008	Fiber washer
6	40401200	Supply stem
7	NLA	S/S receptor for use w/ face spray ring
	NLA	Plastic receptor for use w/ face spray ring
8	40401730	Cup strainer
9	40401870	Stainless receptor
	40401545	Plastic receptor
10	40401240	Gasket
11	40401242	Gasket
12	40401007	Wall bracket
13	40402728	Standard 1/2" stay-open ball valve
14	40401280	Handle



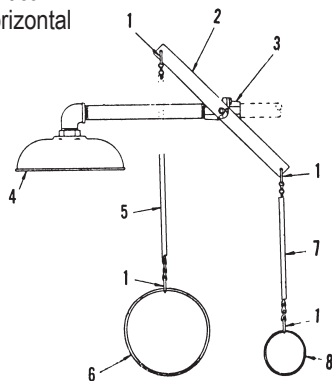
BRADLEY DRENCH SHOWER

ITEM	PART #	DESCRIPTION
1	40402408	Complete S/S showerhead assembly
2	NLA	Adapter (must replace showerhead)
3	40401250	Washer
4	40401870	Stainless showerhead shell
5	40401558	Diffuser - stainless
6	40401601	Screws
7	40402407	Complete plastic showerhead assy.
8	40401540	Plastic showerhead shell
9	40401550	Diffuser-plastic
10	40401602	Screws
11	40400901	1" self-closing valve
12	40401011	1" stay-open ball valve
13	40402631	Handle
14	40401001	Washer-nut (included w/ ball valve)
15	40404571	Pin for attaching rod
16	40401420	Washer
17	40401281	Chrome plated rod for stay-open valve
	40401288	Chrome plated rod for self-closing valve



BRADLEY DOUBLE CHAIN OPERATED SHOWER

ITEM	PART #	DESCRIPTION
1	40402690	"S" hook
2	40401261	Handle for vertical
	40401287	Handle for horizontal
3	40401011	1" ball valve
4	40402407	Plastic showerhead
	40402408	Stainless showerhead
5	40401340	Chain
6	NLA	Pull ring
7	40401344	Chain
8	40401046	Pull ring



EYE WASH TEST GAUGE

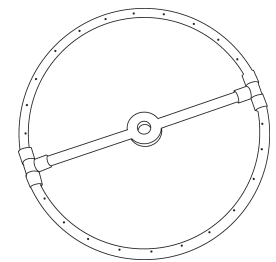
PART # 40400006



INSPECTION TAG
PART #40402044

FACE WASH SPRAY RING

PART # 36089087



TOTAL MAINTENANCE SOLUTIONS

HOUSTON
800/392-5066

ORLANDO
800/327-3022

GREENVILLE
800/476-2212

LOOK FOR US ON THE WEB AT: www.TMSSouth.com

SAFETY EQUIPMENT

ENCON

ENCON YELLO-BOWL™

ABS Plastic

PART # 40401110



ENCON SHOWER HEAD ASSEMBLY

ABS Plastic, 1" connection, 30 gpm

PART # 40400105



ENCON VALVE & PUSH PLATE

1/2"

PART # 40401051



ENCON REPLACEMENT FACE WASH COVERS

10" Chain

PART # 40401052



ENCON REPLACEMENT EYE WASH COVERS

10" Chain

PART # 40401053



ENCON REPLACEMENT EYEWASH HEAD

1.2 gpm

PART # 40401054

40401054



ENCON REPLACEMENT FACEWASH HEAD

1/4" NPT

PART # 40401050



40401050

GUARDIAN EQUIPMENT

1/2" IPS Stay-Open ball valve with flag handle. For most Guardian models.
PART # 40406001



Guardian 12" eye wash bowl. Cicolac plastic.

PART # 40401009 – Orange

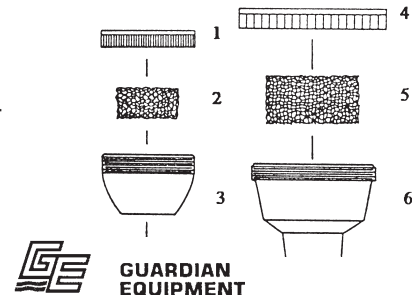
PART # 40401005 – Yellow



Guardian Cicolac 10" orange plastic shower head. 1-1/2" FIP inlet.
PART # 40404503

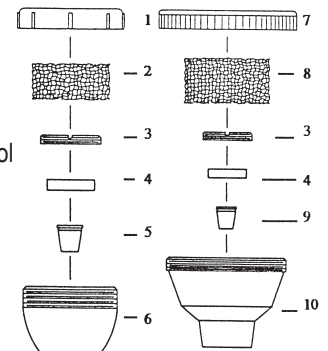
GENTLE SPRAY & FINE SPRAY OUTLET HEADS – DISCONTINUED

ITEM	PART #	DESCRIPTION
1	NLA	1-1/2" GS Delrin spray cover
2	40404600	GS polyurethane filter
1-3	NLA	Gentle Spray outlet head
4	NLA	2-1/2" FS Delrin spray cover
5	40400012	FS polyurethane filter
4-6	NLA	Fine Spray outlet head



GENTLE SPRAY & FINE SPRAY OUTLET HEADS– OLD STYLE

ITEM	PART #	DESCRIPTION
1	36340400	1-1/2" Delrin spray cover
2	40404600	GS polyurethane filter
3	NLA	Slotted retainer for float
4	NLA	Flow control holder (Order 40404700)
5	NLA	1.6 GPM flow control
1-6	40404700	Gentle Spray outlet head with flow control
7	40400013	2-1/2" Delrin spray head cover for use with brass body
	40402509	2-1/2" Delrin spray head cover for use with plastic body
8	40400012	FS polyurethane filter
9		3.0 GPM flow control (Order 40404702)
7-10	40404702	Fine Spray outlet head with internal flow control



TOTAL MAINTENANCE SOLUTIONS

HOUSTON
800/392-5066

ORLANDO
800/327-3022

GREENVILLE
800/476-2212

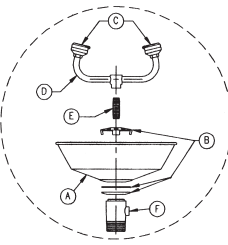
LOOK FOR US ON THE WEB AT: www.TMSSouth.com

SAFETY EQUIPMENT

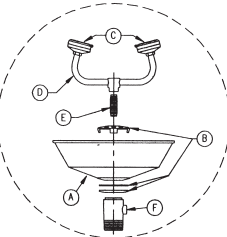
**GUARDIAN SAFETY STATIONS
(EYE & EYE/FACE WASHES)**

ITEM	PART #	DESCRIPTION
A	40401009	Orange plastic Green plastic Yellow plastic Stainless steel
B	40400059	Drain plate assembly for plastic bowls (includes drain plate, cupped washer and gasket)
	40400018	Drain plate assembly for stainless steel bowls (includes drain plate, cupped washer and gasket)
C	40400056	Dust cover assembly (plastic) for 2 GS Plus Spray heads
	40400014	Dust cover assembly (plastic) for FS Plus Spray heads
D	40404701	Spray head assembly (plastic heads w/ chrome plated brass fittings for 2 GS Plus Spray Heads)
	40400011	Spray head assembly (Same as above for 2 FS Plus Spray Heads)
		Spray head assembly (Same as above for 4 GS Plus Spray Heads)
E		Eyewash shank – 3/8" IPS x 2-1/4" Brass Shank
F		Waste receptor – 1-1/2" IPS male outlet

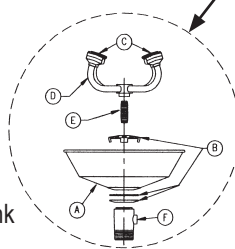
Assembly detail
Eye wash
(2 GS Plus
Spray Heads)



Assembly detail
Eye wash
(2 FS Plus
Spray Heads)



Assembly detail
Eye wash
(4 GS Plus
Spray Heads)



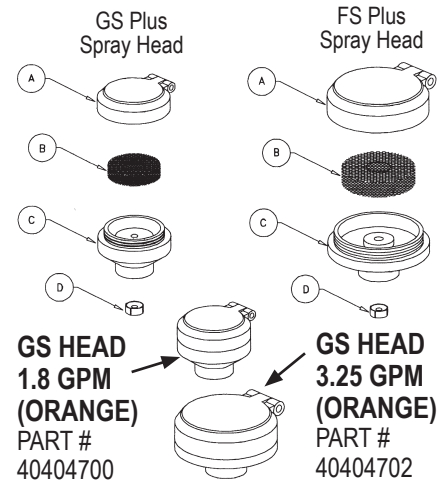
**GUARDIAN SPRAY HEAD
ASSEMBLY – GS PLUS AND
FS PLUS SPRAY HEAD**

GS PLUS SPRAY HEAD

ITEM	PART #	DESCRIPTION
A	40400056	Dust cover & cap assembly
B	40400020	60 ppi polyurethane filter (pack of 6)
C		Plastic body
D	40400057	1.8 GPM flow control

FS PLUS SPRAY HEAD

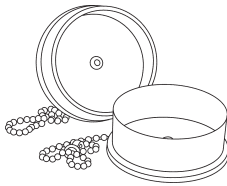
ITEM	PART #	DESCRIPTION
A	40400014	Dust cover & cap assembly
B	40400021	60 ppi polyurethane filter (pack of 6)
C		Plastic body
D	40400058	3.2 GPM flow control



**GUARDIAN EYE WASH
DUST COVERS –
GENTLE SPRAY
OUTLET**

1-3/4" plastic, 2 ea.
per package.

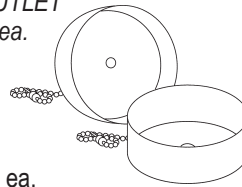
PART # NLA
Can substitute 2 ea.
PART # 40403150



**GUARDIAN EYE WASH
DUST COVERS**

FINE SPRAY OUTLET
2-1/2" plastic, 2 ea.
per package.

PART # NLA
Can substitute 2 ea.
PART # 40400063



FAUCET MOUNTED EYE WASH SYSTEM

Attaches directly to spout.

PART # 40401000



Did you know?

Water dissolves more substances than any other liquid. Wherever it travels, water carries chemicals, minerals and nutrients with it.

— AllAboutWater.org

COMING SOON
TO A BROWSER
NEAR YOU:

THE NEW
TMS SOUTH
WEB SITE
www.tmssouth.com

WATCH
FOR IT!



**TOTAL
MAINTENANCE
SOLUTIONS**

HOUSTON
800/392-5066

ORLANDO
800/327-3022

GREENVILLE
800/476-2212

LOOK FOR US ON THE WEB AT: www.TMSSouth.com

SAFETY EQUIPMENT

COMBINATION SHOWER AND EYE WASH

With 10" ABS plastic showerhead. Stainless steel eye wash receptor. Pull rod activation for shower. Eye wash activated by push flag or foot treadle. Meets ANSI Z358.1 Standard for emergency eye wash and shower equipment.

PART # 40400033



COMBINATION SHOWER AND EYE WASH

With 10" ABS plastic showerhead, eyewash receptor and twin Soft-Flo eye wash heads. Shower activated by pull rod. Eye wash activated by push flag. Meets ANSI Z358.1 Standard for emergency eye wash and shower equipment.

PART # 40400034

COMBINATION SHOWER AND EYE/ FACE WASH

With 10" ABS plastic showerhead, stainless steel eyewash receptor and twin ABS Feather-Flo® eye/face wash heads. Shower activated by pull rod. Eye wash activated by push flag or foot treadle. Meets ANSI Z358.1 Standard for emergency eye wash and shower equipment.

PART # 36368309



WALL MOUNTED EYE WASH RECEPTOR

Green plastic receptor, aluminum wall bracket and twin Soft-Flo ABS plastic anti-surge eye wash heads. Meets ANSI Z358.1 Standard for emergency eye wash and shower equipment.

PART # 40400028



EYE WASH MODEL 7460B

Wall-mounted unit features 11" round stainless steel receptor, aluminum wall bracket and twin Soft-Flo ABS plastic anti-surge eyewash heads. 1/2" IPS supply. Meets ANSI Z358.1 standards.

PART # 40400029



DRENCH SHOWER

With 10" ABS plastic showerhead and stay-open ball valve activated by a pull rod. Meets ANSI Z358.1 Standard for emergency eye wash and shower equipment.

PART # 40400031 (Horizontal)

PART # 40400032 (Vertical)



EYE/FACE WASH MODEL 7360B

Wall-mounted unit features 11" round stainless steel receptor, aluminum wall bracket and twin Feather-Flo® ABS plastic eye/face wash heads. 1/2" IPS supply. Meets ANSI Z358.1 standards.

PART # 36367360



PORTABLE GRAVITY OPERATED EYEWASH MODEL 7500

16 gallon capacity, FDA high-density green polyethylene tank. Provides over 15 minutes of pattern flushing at .4 gpm. Handles on top and side for easy handling. Wide fill opening with threaded cap permits easy inspection, cleaning and filling. Supplied with wall bracket and additive to allow storage of water up to 6 months.

PART # 40400030



EYE/FACE WASH MODEL 7610

Sink or countertop mounted polished chrome-plated brass single action swing-down to activate eye/face wash that features twin Feather-Flo® heads. 1/2" OD slip joint supply. Meets ANSI Z358.1 standards.

PART # 36367610



HOUSTON
800/392-5066

ORLANDO
800/327-3022

GREENVILLE
800/476-2212

LOOK FOR US ON THE WEB AT: www.TMSSouth.com

SAFETY EQUIPMENT

HAWS/WESTERN EMERGENCY EQUIPMENT ACCESSORIES

PART #	DESCRIPTION
40400022	(HAWS) Polished chrome plated brass. Soft-Flo anti-surge eye wash head with 1/4" FIP inlet. Used on Haws models 7612 & 7612LH. Water flow 1.2 GPM
40400023	(HAWS) ABS plastic Soft-Flo anti-surge eye wash head with 1/4" FIP inlet. Water flow 1.2 GPM
40400044	(WESTERN) Yellow soft PVC covered ABS plastic anti-surge eyewash head with 1/4" FIP inlet.
40400024	(HAWS) 2" ABS green plastic Feather-Flo eye wash head with 1/4" FIP inlet. Water flow rate 3.5 GPM
40400045	(WESTERN) Yellow ABS plastic 2" eye-face wash head with 1/4" FIP inlet.



40400022



40400023



40400024

HAWS BALL VALVE WITH FLAG

Rough chrome plated ball valve with flag. 1/2" FIP inlet x 1/4" FIP outlet. Used on most Haws eye wash units with horizontal installation. PART #40400026

Same as above with 1/2" FIP inlet x 3/8" FIP outlet with vertical installation PART #36360700

Flag only PART # 40400117



36360700

HAWS EYEWASH SPRAY HEAD ASSEMBLY MODEL SP62FC

Soft-Flo ABS plastic eyewash antisurge heads. One piece, electropolished Type 304 stainless steel eyewash yoke. 1/4" IPS. PART # 40400060

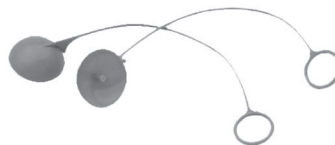


HAWS EYE/FACE WASH SPRAYHEAD ASSEMBLY MODEL SP69FC

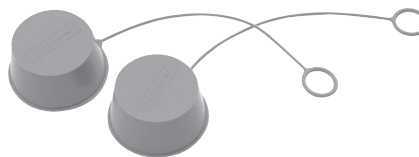
Same as above with Feather-Flo eyewash heads PART # 36365069

HAWS/WESTERN EYE WASH DUST COVERS

PART # DESCRIPTION
40400050 Plastic pop-off covers for eye wash units. Two per set.



40400051 Plastic pop-off covers for eye/face wash units. Two per set.



FACE SPRAY RING

Chrome plated brass face spray ring. Used on most Haws eye/face wash units. Water flow rate 1.8 GPM. PART # 40400025



EYEWASH FLOW CONTROL

1.2 gpm chrome-plated brass flow control assembly. Fits most Haws eyewashes. PART # 40400118



HAWS MODEL 8129FC SHOWER HEAD

ABS plastic. Also available in stainless steel.

PART # 40400052



HAWS MODEL SP509 INLINE STRAINER

Fully serviceable in-line, 50 x 50 mesh strainer filters debris from reaching the eyewash. Comes with a 1/2" slipjoint nut and washers for connection to combination shower and eyewash units. PART # 40400027



TOTAL MAINTENANCE SOLUTIONS

HOUSTON
800/392-5066

ORLANDO
800/327-3022

GREENVILLE
800/476-2212

LOOK FOR US ON THE WEB AT: www.TMSSouth.com

SAFETY EQUIPMENT

HAWS/WESTERN EMERGENCY EQUIPMENT

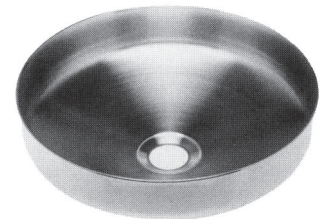
PART #	DESCRIPTION
40400047	1" Chrome plated stay open ball valve with handle for horizontal installation.
40400048	1" Chrome plated stay open ball valve with double arm handle for horizontal installations.
36942500	1" Chrome plated stay open ball valve with handle for vertical installation.
40400049	1" Chrome plated stay open ball valve with double arm handle for vertical installations.



PART #	DESCRIPTION
40400007	28" stainless steel pull rod. For use with stay open ball valve.



PART #	DESCRIPTION
36941351	Stainless steel 11" receptor for eyewash units.



Did You Know?

The word plumbing comes from the latin word for lead, *plumbum*.

For all your plumbing needs, call us!



**TOTAL
MAINTENANCE
SOLUTIONS**

HOUSTON
800/392-5066

ORLANDO
800/327-3022

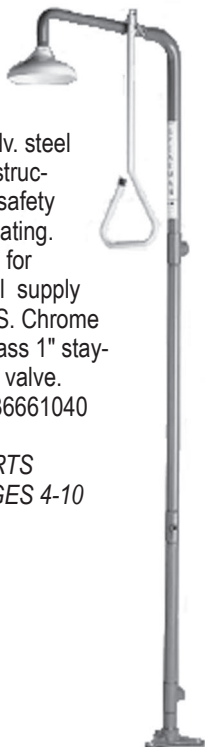
GREENVILLE
800/476-2212

LOOK FOR US ON THE WEB AT: www.TMSSouth.com

**DRENCH SHOWERS
FREE STANDING
DRENCH
SHOWER**

Free standing 8" Cyclac plastic self-cleaning head. 1-1/2" galv. steel pipe construction with safety yellow coating. Provision for horizontal supply 1-1/2" IPS. Chrome plated brass 1" stay-open ball valve.
PART # 36661040

FOR PARTS
SEE PAGES 4-10

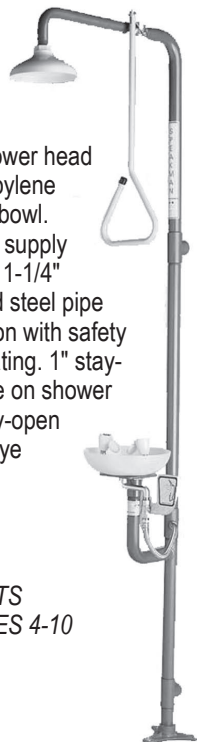


SPEAKMAN

**COMBINATION DRENCH
SHOWER/
EYE
WASH
UNIT**

8" Cylac plastic shower head & polypropylene eye wash bowl. 1-1/4" IPS supply and drain. 1-1/4" galvanized steel pipe construction with safety yellow coating. 1" stay-open valve on shower & 1/2" stay-open valve on eye wash.
PART # 40400043

FOR PARTS
SEE PAGES 4-10



**HORIZONTAL DRENCH
SHOWER**

Horizontal supply 8" head of yellow impact resistant plastic. 1" horizontal supply with 1" chrome plated brass stay-open valve. 1" galvanized steel pipe const. with safety yellow coating.
PART # 40400038

FOR PARTS SEE PAGES 4-10



VERTICAL DRENCH SHOWER

Vertical supply 8" head of yellow impact resistant plastic. 1" stay-open chrome plated brass ball valve.
PART # 40400037

FOR PARTS SEE PAGES 4-10



EYE WASH FIXTURES

PEDESTAL MOUNTED POLYPROPYLENE RECEPTOR

Chrome plated brass yoke & heads. 1/2" Stay-open chrome plated brass valve. 1-1/2" galvanized steel pipe construction with safety yellow coating.
PART # 40400040

WALL MOUNTED STAINLESS STEEL RECEPTOR

Chrome plated brass yoke & heads. 1/2" IPS Stay-open chrome plated brass valve. 1-1/4" IPS drain w/ cast aluminum wall mount. All with safety yellow coating.
PART # 40400039 (SE-582)
Same as 40400039 except receptor is polypropylene.
PART # 40400061 (SE-580)

FOR PARTS SEE
PAGE 4-10, 4-11



PART # 40400061



PART # 40400039



PART # 40400040

**EYE/FACE WASH
FIXTURE**

Wall mounted polyethylene bowl. 1/2" IPS Stay-open chrome plated brass valve. 1-1/4" IPS drain with safety yellow coating.
PART # 36662040 (SE-495)

FOR PARTS SEE PAGE 4-11



**TOTAL
MAINTENANCE
SOLUTIONS**

HOUSTON
800/392-5066

ORLANDO
800/327-3022

GREENVILLE
800/476-2212

LOOK FOR US ON THE WEB AT: www.TMSSouth.com

SAFETY EQUIPMENT



SPEAKMAN

HAND-HELD AERATED EYE WASH

PART # DESCRIPTION
 36663010 Hand-held aerated eyewash. 5 ft. vinyl reinforced hose with 1/2" IPS male thread.



HAND-HELD TABLETOP MOUNTED AERATED EYE WASH

6 ft. vinyl reinforced hose with 1/2" IPS male thread.
PART # 36663020



GRAVITY FED, PORTABLE EYE-WASH

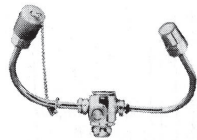
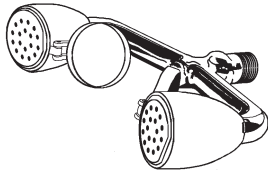
21-gallon capacity.

PART # 36664000



BULLHORN ASSEMBLY

PART # 40400036



PART # 40401000
 Faucet mounted eye wash system. Attaches directly to spout.

EYESAVER FAUCET W/ GOOSENECK

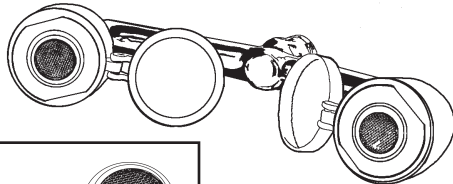
An independently operated eyewash combined with a gooseneck faucet. Features 1/4 turn Ceramic Perfect Valves and twin aerated sprays with flip top dust covers on the eyewash.

PART # 40400041



AERATED BULLHORN ASSEMBLY

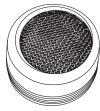
PART # 40400035



REPLACEMENT AERATOR

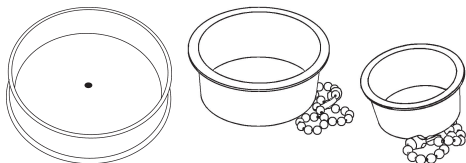
Use with old case with slot

PART # 40110209



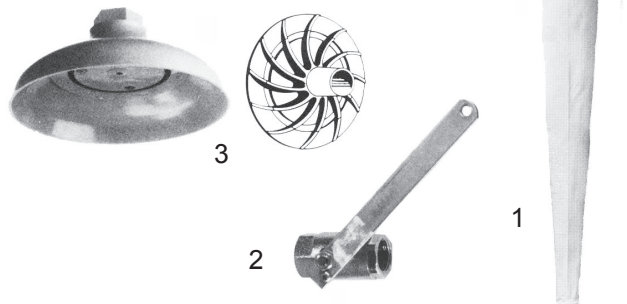
SPEAKMAN EYEWASH CAPS

PART #	DESCRIPTION
40400566	1-1/4" cap with chain (each)
40403150	1-3/4" cap with chain (each)
40400063	2-1/2" cap (each)



PARTS FOR SHOWERS

ITEM	PART #	DESCRIPTION
1	36663650	Shower tester
2	40400064	1" stay-open ball valve with S/S lever
3	36663630	8" Cylolac plastic shower head. 1" FIP inlet w/ impeller faceplate.



TOTAL MAINTENANCE SOLUTIONS

HOUSTON
 800/392-5066

ORLANDO
 800/327-3022

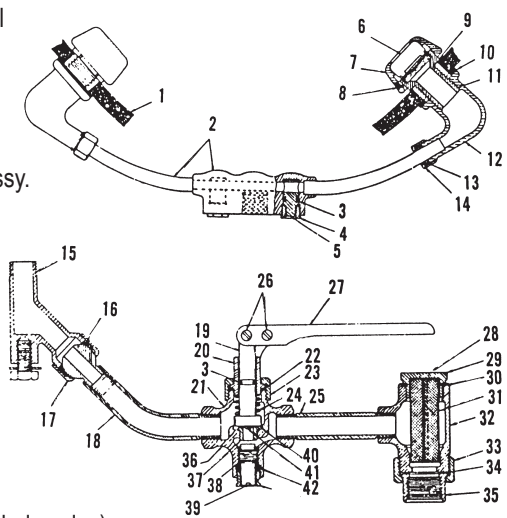
GREENVILLE
 800/476-2212

LOOK FOR US ON THE WEB AT: www.TMSSouth.com

SAFETY EQUIPMENT

SPEAKMAN EYE WASH FIXTURE W/ VITREOUS CHINA BOWL

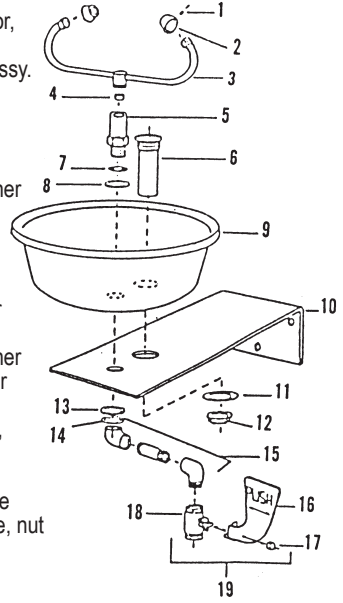
ITEM	PART #	DESCRIPTION
1	NLA	China Eye-Wash bowl
2	15890743	Control Tee & Tubes
3	40950019	O-Ring
4	15890135	V.C. packing nut
5	15890172	V.C. spindle
6	40400384	Aerator screen assy.
7	40400002	Aerator cap & shell assy.
8	40400016	Set screw
9	15890950	Fibre washer
10	15890995	Rubber washer
11	15890420	Stream outlet spud
12	15890748	Outlet elbow
13	89382006	Collar
14	15890125	Coupling nut
15	15890745	45 degree Tee
16	15891110	Packing
17	15890126	Coupling nut
18	15890848	Bent arm & ball assy.
19	15890168	Spindle assy.
20	NLA	Hub (NLA must buy whole valve)
21	NLA	Self Closing valve assy. less handle



ITEM	PART #	DESCRIPTION
22	40400395	Fibre washer
23	40400563	Hex nut
24	40403700	Spring
25	15890757	Pipe
26	40400068	Pin
27	15890220	Handle (SE-500)
28	15890741	Supply line strainer assy.
29	15890124	Hex nut
30	15890935	Fibre washer
31	15890740	Strainer Gauze
32	15890726	Strainer body
33	15890137	Coupling nut
34	15890860	Fibre washer
35	15890632	Swivel
36	15890710	Valve body & seat assy.
37	40400054	Seat
38	15890993	Brass washer
39	15890165	I.S. Spindle
40	40400005	Seat washer
41	40400019	Seat washer screw
42	15891126	Packing
43	15890123	I.S. Packing nut

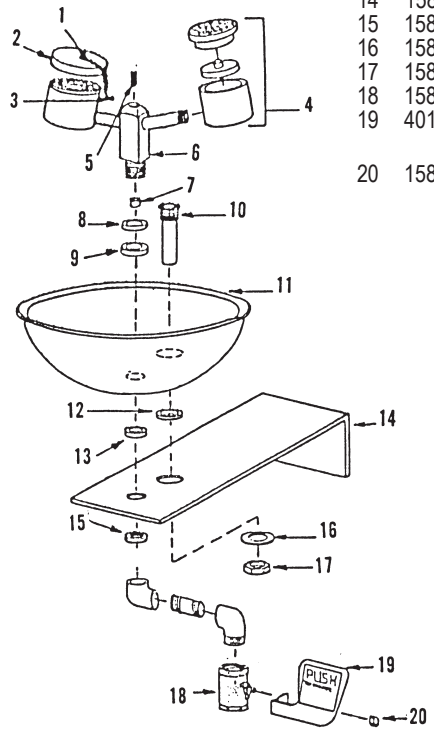
SPEAKMAN EYE WASH SE-580, SE-582

ITEM	PART #	DESCRIPTION
1	15891055	Set screw
2	40400002	Cap & aerator, set screw
3	NLA	Tee & tube assy.
4	15890689	Flow control
5	15890512	Adapter
6	15890619	Drain assy.
7	15891049	S/S washer
8	15890995	Rubber washer
9	15892062	Stainless steel bowl
10	15892061	Plastic bowl
11	15891156	Wall bracket
12	15891043	Fiber washer
13	15890137	Nut
14	15890995	Rubber washer
15	15891048	Brass washer
16	15890753	Pipe assy.
17	40400438	Push handle, nut, decal
18	15890138	Nut
19	15890691	1/2" ball valve
20	40402160	Valve, handle, nut



SPEAKMAN EYE/FACE WASH, SE-490, 495

ITEM	PART #	DESCRIPTION	ITEM	PART #	DESCRIPTION	
1	15890574	Chain assembly	9	15890995	Rubber washer	
2	40400063	Dust cover	10	15890619	Drain assy.	
3	NLA	Chain screw	11	15892061	Plastic bowl	
4	15890776	Spray head assy.	12	15892062	Stainless steel bowl	
5	15891072	Balancing screw	13	15891047	Brass washer (SE-495 only)	
6	15890724	Body & pipe assy.	14	15891048	Brass washer (SE-495 only)	
7	15890698	Flow control	15	15891156	Wall bracket	
8	15891049	S/S washer	16	15890995	Rubber washer	
			17	15891043	Fiber washer	
			18	15890137	Nut	
			19	15890691	1/2" ball valve	
			20	40150069	Handle, decal, nut	
				20	15890138	Nut



PUSH HANDLE W/ NUT NLA



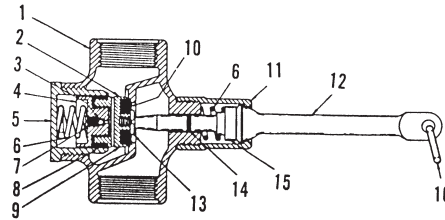
PUSH HANDLE W/ 1/2" BALL VALVE PART # 40402160



SAFETY EQUIPMENT

SPEAKMAN SELF-CLOSING VALVE (SE-900 & SE-901)

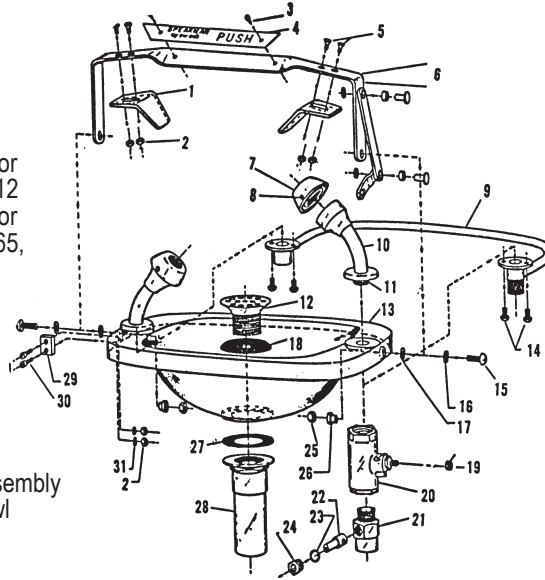
ITEM	PART #	DESCRIPTION
1		Valve body for SE-901
		Valve body for SE-900
2	15890393	Seat washer holder
3	15890380	Monel ball
4	15890394	Nut
5	15890115	Cap nut
6	15890770	Spring
7	15890379	By-pass regulator
8	15890928	Rubber cup washer



ITEM	PART #	DESCRIPTION
9	15890520	Piston assy. items 2,3,4 7,8,10 & 13
10	15890925	Washer
11	15890131	Handle nut
12	15890251	Lever handle
13	15891052	Screw
14	40950019	O-Ring
15	15890550	Plunger assembly
16	15890366	Ring

SPEAKMAN EYE WASH FIXTURE WITH STAINLESS STEEL BOWL, SE-505

ITEM	PART #	DESCRIPTION
1	NLA	Shield
2	15890128	Hex nut
3	15891067	Drive screw #2
4	15890782	Index
5	15891064	Screw
6	15890363	Handle assembly for SE-515,546,610,612
	15890362	Handle assembly for SE-505,535,545,565, 614, 616
7	40400002	Aerator cap & shell w/ screw
8	40400016	Set screw
9	15890852	Tubing manifold
10	15890851	Nozzle base & tube assembly
11	15891128	O-Ring
12	15890600	Strainer & plug assembly
13	15892050	Stainless steel bowl
14	15891053	Screw
15	15891065	Screw
16	15891018	Nylon washer
17	15891014	Nylon washer
18	15890854	Rubber washer



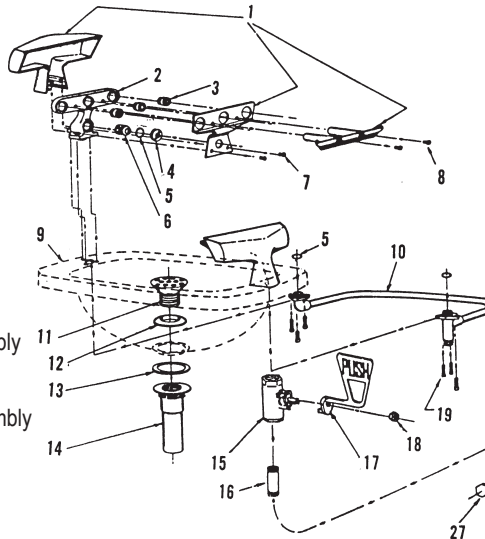
ITEM	PART #	DESCRIPTION
19	15890138	Nut
20	15890690	3/8" I.P. ball valve
21	15890720	Volume control assembly
22	15890172	Spindle
23	40950019	O-Ring
24	15890135	Packing nut
25	15890133	Hex nut
26	15890462	Handle bushing
27	15890920	Fiber washer
28	15890532	Tailpiece & spud assembly
29		Handle stop
30		Cap screw
31	15891017	6/32 Lockwasher
*	40400384	Aerator screen assembly
*	NLA	3/8" ball valve repair kit

* Not shown



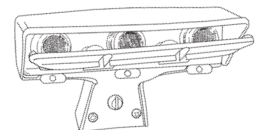
SPEAKMAN EYE/FACE WASH W/ PLASTIC SPRAY SHIELDS, SE-400

ITEM	PART #	DESCRIPTION
1	15890640	Shroud assembly
2	15890696	Body
3	40110209	Aerators
4	15890136	V.C. nut
5	40950025	O-Ring
6	NLA	V.C. spindle
7	15891066	Screw
8	15891067	Screw
1-8	40400042	Shroud, Body & Aerator assembly
9	15892060	Bowl
10	15890665	Manifold assembly
11	15890600	Strainer & Plug assembly
12	15891042	Rubber washer
13	15890920	Fiber washer
14	15890532	Tailpiece & spud assembly
15	15890691	1/2" ball valve
16	15890752	1/2" IPS nipple
17	40400438	Handle
18	15890138	Jam nut
19	15891068	Screw



ITEM	PART #	DESCRIPTION
20	15890742	Supply line strainer assembly
21	15890137	Coupling nut
22	15890632	Swivel
23	15890860	Fiber washer
24	15890733	Strainer body
25	15890740	Strainer gauze
26	15890935	Fiber washer
27	15890124	Hex nut
*	15892140	1/2" ball valve repair kit (Not shown)

SHROUD ASSEMBLY PART # 40400042



**TOTAL
MAINTENANCE
SOLUTIONS**

HOUSTON
800/392-5066

ORLANDO
800/327-3022

GREENVILLE
800/476-2212

LOOK FOR US ON THE WEB AT: www.TMSSouth.com

SAFETY EQUIPMENT

SAFETY-WALK ANTI-SLIP MATERIALS

The complete line of Safety-Walk antislip materials help solve costly slip and fall problems before they begin, improve product performance, and safety. These antislip materials even work around oil, grease, and water. Indoors and outdoors.

Ease of application makes for instant protection. Goes on like tape to a clean, dry surface. Available in assorted shapes and colors. Lasts for years with minimum maintenance.



GENERAL PURPOSE

- Dramatically reduces the chance of injury from falls in heavy traffic areas.
- Diamond-hard mineral top surface with adhesive backing.
- Use on non-porous surface applications. (For porous surfaces-use with Safety-Walk Primer.)
- No drying time necessary-ready for immediate use.

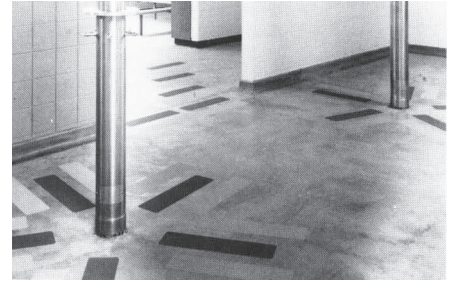
COLOR: Black - also available in clear

PART #	DESCRIPTION
80001001	3/4" x 24" Strip
80001007	5-1/2" x 5-1/2" Treads
80001004	6" x 24" Treads
80001005	2" x 60 ft. Roll
80001006	4" x 60 ft. Roll

Available in other sizes: 6", 12", 18", 24", 36" & 48" x 60 ft. Rolls.

RESILIENT - MEDIUM GRADE

- Dramatically reduces the chance of injury from falls.
- Medium textured polymer, ideal for smooth, flat surfaces.
- Use indoors or outdoors.
- Light & medium duty applications on or around barefoot traffic areas.



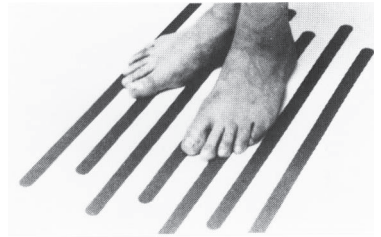
COLOR: Grey - also available in Black.

PART #	DESCRIPTION
80003004	2" x 60 ft. Roll
80003006	4" x 60 ft. Roll

Available in other sizes: 1", 6", 12", 18", 24", 36" & 48" x 60 ft. Rolls.

RESILIENT - FINE GRADE

- Sanitary. Can be cleaned the same as tub or shower areas and just as easy.
- Durable. Strips will stay securely in place. Easily replaced without damage to tub or shower.
- Colorfast. Won't fade or wash out.
- Easy to apply. Adhesive backed. Sticks at a touch.



COLORS: White & Clear

PART #	DESCRIPTION
80005002	6" x 24" Tread-White
80005004	2" x 60 ft. Roll
80005006	4" x 60 ft. Roll
40500261	3/4" x 17" Strips-White
40500262	3/4" x 17" Strips-Clear

Available in other sizes: 1", 6", 12", 18", 24", 36" & 48" x 60 ft. Rolls.

SAFETY-WALK ACCESSORY PRODUCTS

PRIMER

For priming porous surfaces such as concrete and wood prior to Safety-Walk installation.

PART #	DESCRIPTION
80005050	One quart-Primer
80005010	5 oz. tube edge sealer - seals 100 L.F.

EDGE SEALING COMPOUND

For sealing areas exposed to water, grease or oil for extended periods of time.

SAFETY-WALK is a product of the 3-M Company



CONFORMABLE

- Dramatically reduces the chance of injury from falls.
- Diamond-hard mineral provides positive grip.
- The new anti-slip material you can roll, bend, or angle.
- No drying time necessary-ready for immediate use.

COLOR: Black

PART #	DESCRIPTION
80002001	5-1/2" x 5-1/2" Tread
80002002	6" x 24" Tread
80002004	2" x 60 ft. Roll
80002006	4" x 60 ft. Roll

Available in other sizes: 3/4", 1", 6", 12", 18" & 24" x 60 ft. Rolls.



**TOTAL
MAINTENANCE
SOLUTIONS**

HOUSTON
800/392-5066

ORLANDO
800/327-3022

GREENVILLE
800/476-2212

LOOK FOR US ON THE WEB AT: www.TMSSouth.com